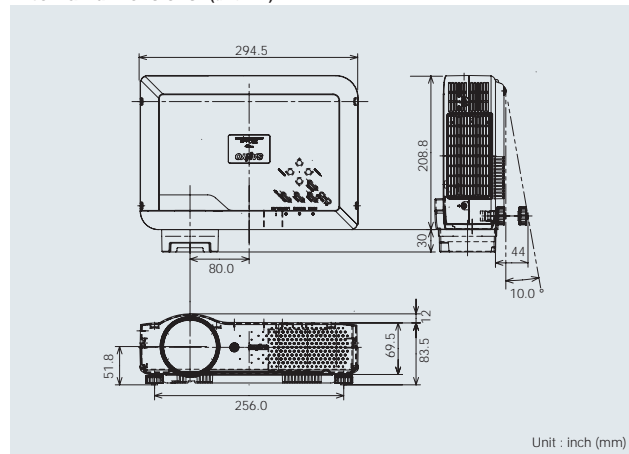


### Ultra Portable Multimedia LCD Projector

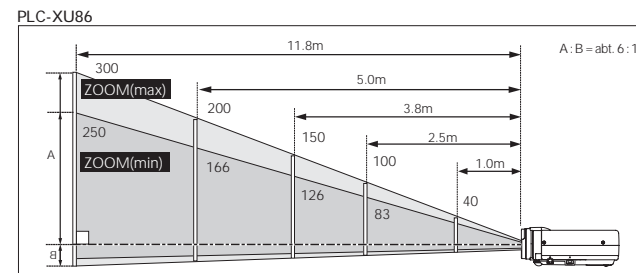
### Portable Convenience and Flexible Networking XU86/XU83

#### External dimensions (unit:mm)

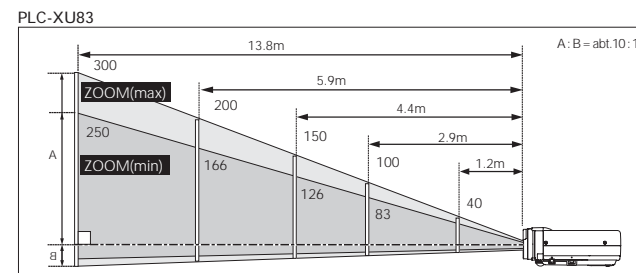


Unit : inch (mm)

#### Approximate throw distance/picture size



| Screen Size (W x H) mm | 40"       | 100"        | 150"        | 200"        | 300"        |
|------------------------|-----------|-------------|-------------|-------------|-------------|
| 4:3 aspect ratio       | 813 x 610 | 2032 x 1524 | 3048 x 2286 | 4064 x 3048 | 6095 x 4572 |
| Zoom (min)             | 1.6m      | 3.9m        | 5.9m        | 7.9m        | 11.8m       |
| Zoom (max)             | 1.0m      | 2.5m        | 3.8m        | 5.0m        | 7.6m        |



| Screen Size (W x H) mm | 40"       | 100"        | 150"        | 200"        | 300"        |
|------------------------|-----------|-------------|-------------|-------------|-------------|
| 4:3 aspect ratio       | 813 x 610 | 2032 x 1524 | 3048 x 2286 | 4064 x 3048 | 6095 x 4572 |
| Zoom (min)             | 1.8m      | 4.6m        | 6.9m        | 9.2m        | 13.8m       |
| Zoom (max)             | 1.2m      | 2.9m        | 4.4m        | 5.9m        | 8.8m        |

#### Specifications

|                         | PLC-XU86                                                                                                       | PLC-XU83                                  |
|-------------------------|----------------------------------------------------------------------------------------------------------------|-------------------------------------------|
| Model name              | PLC-XU86                                                                                                       | PLC-XU83                                  |
| LCD Panel system        | 0.7-inch TFT p-Si x 3                                                                                          | 0.6-inch TFT p-Si x 3                     |
| Number of pixels        | 2,359,296 (1024 x 768 dots)                                                                                    |                                           |
| Projection lamp         | 200 W UHP 1.0 mm                                                                                               |                                           |
| Brightness(typical)     | 2500 lm                                                                                                        | 2000 lm                                   |
| Uniformity              | 80%                                                                                                            | 85%                                       |
| Contrast ratio          | 500:1                                                                                                          | 400:1                                     |
| Projection lens         | F1.6 -2.5, f=17.7- 28.3 mm                                                                                     |                                           |
| Screen size             | 40"-300" 1.0-11.8 m (100" at 2.5 - 3.9 m)                                                                      | 40"-300" 1.2-13.8 m (100" at 2.9 - 4.6 m) |
| Zoom / Focus            | 1:1.57 Manual driven U-D= abt. 6:1                                                                             | 1:1.57 Manual driven U-D= abt.10:1        |
| HDTV signals            | 480i, 480p, 575i, 575p, 720p, 1035i, and 1080i                                                                 |                                           |
| Color systems           | PAL / SECAM / NTSC / NTSC4.43 / PAL-M/N                                                                        |                                           |
| Video signal            | Composite, D-sub 15-pin for component                                                                          |                                           |
| Video terminals         | RCA : Video<br>Mini-DIN 4-pin : S-Video 1-Input                                                                |                                           |
| Computer compatibility  | UXGA / WXGA / SXGA / XGA / SVGA / VGA / MAC analog                                                             |                                           |
| Computer terminals      | DVI-I for Input D-sub for Input, D-sub 15 pin for input or monitor out                                         |                                           |
| Audio terminal          | RCA (L/R) for video input<br>Mini-Jack (stereo) for computer input<br>Mini-Jack (stereo) for output (variable) |                                           |
| Network terminal        | Wired : RJ45(100BASE-TX/10BASE-T)<br>Wireless : USB(USB LAN ADAPTOR)                                           |                                           |
| Communication terminals | Service Port (RS-232C), USB type B                                                                             |                                           |
| Presentation tools      | Freeze / Digital Zoom / No Show / Page 1 / Etc                                                                 |                                           |
| Other features          | Progressive, 3-2 pull down, & 2-2 pull down user logo                                                          |                                           |
| Scanning frequency      | H sync: - 100 kHz, V sync: - 100 Hz,<br>dot clock: 140 MHz                                                     |                                           |
| Sound output            | 1.0W Mono                                                                                                      |                                           |
| Voltage                 | 100 V-240 V AC (auto voltage)                                                                                  |                                           |
| Dimensions (W x H x D)  | 294.5 x 69.5 x 208 mm (not including adjustable feet)                                                          |                                           |
| Weight                  | 2.6 kg (5.7 lbs)                                                                                               |                                           |

#### USB Wireless LAN adaptor Specifications

|                              |                                                                                                                                                     |
|------------------------------|-----------------------------------------------------------------------------------------------------------------------------------------------------|
| Interface                    | Correspond to IEEE802.11b/g, USB 2.0 / 1.1                                                                                                          |
| Communication Mode           | AdHoc, Infrastructure                                                                                                                               |
| Data Transfer Speed          | 1/2/5.5/11Mbps(IEEE802.11b)<br>6/9/12/18/24/36/48/54Mbps(IEEE802.11g)<br>When using AdHoc mode, only IEEE802.11b is usable.                         |
| Wireless Frequency (Channel) | 2412MHz-2462MHz (CH1-CH11)                                                                                                                          |
| Modulation Form              | IEEE802.11g OFDM<br>54/4Mbps 64QAM, 36/24Mbps 16QAM, 18/12Mbps<br>QPSK, 9/6Mbps BPSK<br>IEEE802.11b DSSS1<br>11/5Mbps CCK, 2Mbps DQPSK, 1Mbps DBPSK |
| Protocol                     | TCP/IP                                                                                                                                              |
| Security                     | WEP 64 Bit/WEP 128Bit/WEP 152Bit,SSID,ESSID, LEAP<br>about 30m(without disturbance)                                                                 |
| Service area                 | Differs according to the operating environment.                                                                                                     |
| Operating Voltage            | DC 5V                                                                                                                                               |
| Environmental conditions     | Operating temperature : 5-35 °C<br>Storage temperature / Humidity : 10-60 °C/5-95%                                                                  |

\* Design of the product, specifications are subject to change without notice.

#### Dedicated option



Pixelworks ICs are used in this projector

#### Safety Precautions

- Do not install the LCD projector in areas exposed to water, humidity, dust, oil or smoke or in close proximity to heat sources. Make sure the heat vents are not blocked. Fire, electrical shock or unit malfunction may result if the above precautions are neglected.
- Do not look through the lens while projecting as damage to the eyes could result. Take special care when children are close by.
- Do not look at the laser beam coming out of the remote control unit or direct the laser beam toward a person. Direct contact with the laser beam may cause damage to the eyes.

#### Remarks

- LCD panel manufacturing requires extremely high-precision technology with pixels having a 99.99% quality control rating. However, there does exist a 0.01% or smaller possibility of dead pixels or constantly lit pixels.
- Please note that product colors in the brochure may differ slightly from those of actual products.
- All screen pictures in the catalog are simulated.
- Product appearance and specifications are subject to change without notice.

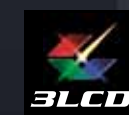
Further details regarding this product can be accessed at <http://www.sanyo-lcdp.com/english/>

**\* Caution:** please consult the instruction manual to ensure safe and proper operation of the product.

Distributed by:



SANYO Electric Co., Ltd.  
AV Company  
©2005 SANYO Printed in Japan 2005.12.SI  
SML062





# Flexible Projection Power On the Go

## Portability

### Light Weight and Compactness

The compact and lightweight body (294.5 x 69.5 x 208 mm and 2.6 kg) of the PLC-XU86/XU83 offers great portability.

### Bright Images Even in a Well-Lit Room

The PLC-XU86 provides outstanding brightness of 2,500 lumens, while the PLC-XU83 delivers 2,000 lumens of brightness.

### Power-Off and Go

No need to wait for the projector to cool down. You can disconnect the power cord right after your presentation.

### Two Computer Inputs (DVI-I and D-sub)

The PLC-XU86/XU83 has two computer input terminals— DVI-I input and D-sub input. The D-sub terminal can be switched to a monitor out for the DVI-I input.



### Auto Vertical Keystone Correction

The PLC-XU86/XU83 automatically compensates for keystone picture distortion. The correction range is up to ±20 degrees.



NOTE: On-screen image size after correction is smaller than that of original. The correction range varies depending on the operation settings, such as lens shift ratio and lens zoom magnification.

### 1.57x Optical and 16x Digital Zoom

In addition to its 1.57x optical zoom, the PLC-XU86/XU83 features a 1/2x to 16x digital zoom that lets you easily enlarge or reduce the screen display size as desired.

### Blackboard Mode (for Green Color Boards)

This mode lets you use a blackboard as a projection screen\*. It adjusts the colors to make images look similar to those projected onto an ordinary white screen.



\* For blackboards of green color only.

### USB Memory Viewer

When used together with the optional USB memory, the PLC-XU86/XU83 lets you give PC-free presentations.



Optional USB memory (POA-USB02)

## Picture Quality

### High-Quality UXGA Projection Compressed with DRIT

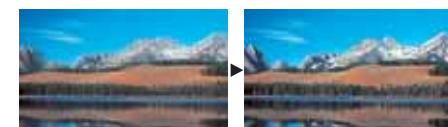
SANYO's original Digital Realized Interpolation Technology (DRIT) enhances projected images, even if the resolution of the input signal differs from that of the LCD panels.

### 3-2/2-2 Pull-Down Progressive Scan

The progressive scan circuit makes moving pictures smooth and clear, and 3-2/2-3 pulldown compatibility assures superior image quality from film sources.

### 3D AUCC

The 3D Automatic Uniformity Correction (AUCC) circuit ensures a uniform projected image, balancing uneven color and brightness gradations for more natural image displays.



### Separate RGB Panels

The PLC-XU86/XU83 employs three LCD panels for true XGA (1024 x 768) resolution images with a total of 2,359,296 pixels.

## Network Flexibility

### Wireless/Wired LAN Capability

The PLC-XU86/XU83 is ready for wireless and wired LAN connection to give you greater projection versatility.

### Multi Control with Web Management

With Multi-Control, a single computer can setup and control multiple projectors up to 64 units at the same time. With the Web Management feature, projector functions such as power status, lamp status, input mode, signal condition, and lamp-use time can be monitored through the network by using a web browser.

### Moderator Function

This function lets you choose which PC to use for projection when several PCs are connected to a projector. In a classroom, for instance, a teacher or presenter can select which of the students' PC images to project. It also prevents unauthorized or accidental projection.

### IEEE 802.11b/g Wireless Function

The PLC-XU86/XU83 comes supplied with an USB wireless LAN adapter.



### Easy Wireless Connection

Connection settings for the projector and PC are made automatically. After the presentation, wireless settings are restored to their previous status. This works for both the Adhoc, where the data is sent directly from the PC to the projector, and the infrastructure mode, where the data is sent through an access point.

\* IEEE 802.11b only

### Real-Time Transmission

This mode gives the presenter exclusive use of the projector. It also allows presenters to change smoothly because there is no need to re-connect cables.



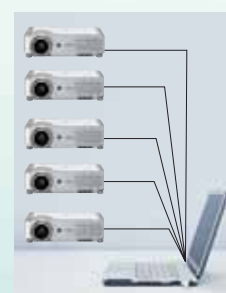
### One-Shot Transmission

Images from several PCs can be projected in turn. This mode is handy for a meeting.



### Five-Unit Simultaneous Projection

This mode lets you capture a PC screen and transmit it to up to five projectors for multiple projection.



## Convenience

### Quiet Operation

The intelligent Fan Operation Linear Control System reduces cooling fan noise due to changes in temperature.

### Countdown/Immediate Projection Selectable

You can select either mode at start-up. Countdown mode ensures that the lamp has reached sufficient brightness before projecting the image. Immediate mode lets you project the image as soon as the power is

### Control Lock Functions

Security features include a PIN code lock, top panel control lock and remote control lock.

## Other Features

- PJ Link compatibility
- 16-Language on-screen menu
- Custom startup logo
- User logo (screen capture)
- No show
- Freeze
- Presentation timer

### E-mail Alert

With the E-Mail Alert feature, the PJ-Net organizer sends messages to registered E-Mail addresses when an abnormality, such as a lamp failure or power failure, occurs.

### WEP/LEAP Authentication

To prevent unauthorized projection of data stored in your PCs or servers, the PLC-XU86/XU83 features WEP/LEAP-compatible authentication.

### PJ Controller

You can operate the projector from your PC using PJ Controller software.

### Remote Mouse Control

You can operate the PC using the remote controller. Remote controllable functions include mouse (pointer) control, left click and right click.



Ultra Portable Multimedia LCD Projector  
**PLC-XU86/XU83**